



Brush Grapple

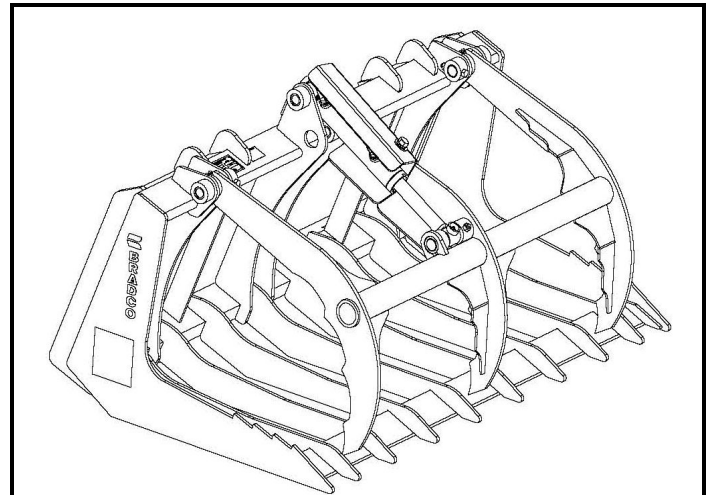
Whether your handling brush or cleaning up on the farm or job-site you need a heavy duty grapple that will stand up to the task.

The Thomas Brush Grapples heavy construction ensures you years of trouble free performance in even the most severe applications.

The grapples wide opening tines easily grab and securely clamp the material in place and for protection the grapples tines hydraulic cylinder is fully shielded.

As an added benefit the Thomas' spill proof self leveling bucket system also ensures what you pick up stays in the grapple.

No matter how severe the application the Thomas Scrap Grapple is built to handle it.



- **Width (overall)** 42" (1067 mm)
- **Height (overall)** 25.5" (648 mm)
- **Length (overall)** 31.3" (794 mm)
- **Grapple Opening** 29" (736 mm)
- **Approx. Weight** 270 lb (122 kg)

WWW.THOMASLOADERS.COM

103 Graham St., Woodstock, NB, Canada, E7M 6B5
866-238-6844 - salesinquiries@thomasloaders.com